

Poppet Type Hand Lever Valve

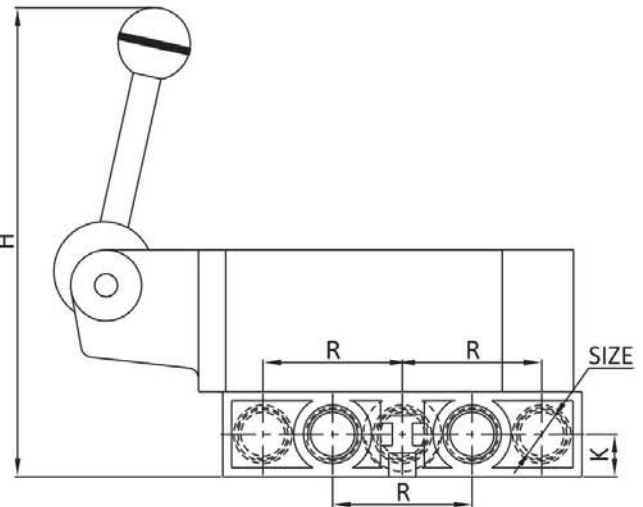
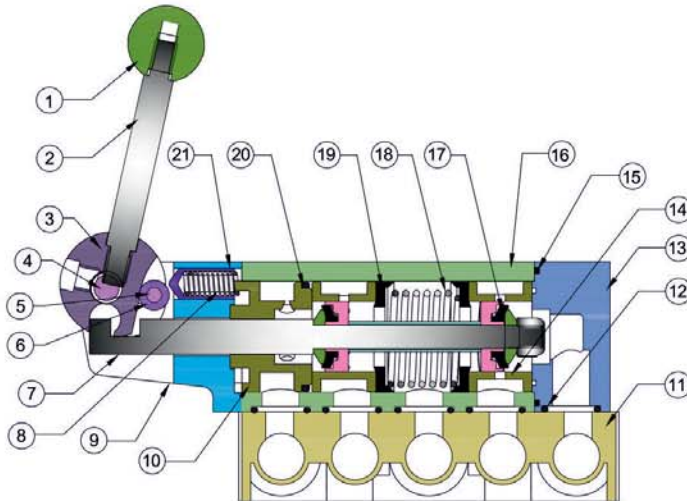


Features

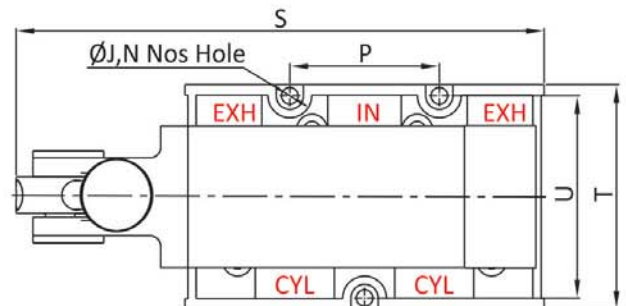
- ▶▶ Heavy & Durable design.
- ▶▶ Aluminum Die Cast Standard Grade with Powder Coating.
- ▶▶ Hard Chrome Plated spool for rust free smooth and long life cycle.
- ▶▶ Superior High Grade Seals
- ▶▶ Simple design easy to maintenance

Technical Specification

Model	HLPT - 02	HLPT - 03	HLPT - 04
Size	1/2"	3/4"	1"
Orifice	12	19	25
Design	Poppet type		
Pressure	0.5 to 10 Kg/cm ²		
Temperature	80 °C		
Leakage	Bubble Tight		
Duty Cycle	Continuous Rated		
Media	Compressed Air (Filtered & Lubricated)		
Flow (NLPM) at 5 BAR	3600	8000	11300
Weight (Kg)	2.980	2.900	3.200



No.	Part Name	Material
1	Knob	Nylon
2	Handle	Standard Steel
3	Disc	Standard Steel
4	Dowel Pin	Standard Steel
5	Dowel Pin	Standard Steel
6	Roller	Standard Steel
7	Spool	Standard Steel
8	Detent Spring	S. Steel
9	Bracket	Cast Steel
10	Retainer	Brass / S. S.
11	Base Plate	Aluminum Pressure Die Cast
12	'O' Ring (Base Plate)	Hi - Nitrile
13	End Cover	Aluminum
14	Cage	Aluminum
15	Gasket	Hi - Nitrile
16	Body	Aluminum
17	Inlet Seal	Hi - Nitrile
18	Spring	S. Steel
19	Inlet Seal	Hi - Nitrile
20	'O' Ring (Retainer)	Hi - Nitrile
21	Detent	Standard Steel



Dimension :

(All Dimensions are in mm)

MODEL	SIZE	L	H	K	T	U	R	P	S	ØJ	N
HLPT - 02	1/2"	152	205	18	95	86	60	63	225	7	3
HLPT - 03	3/4"	152	205	18	95	86	60	63	225	7	3
HLPT - 04	1"	152	215	22.5	95	79	60	63	225	7	3