

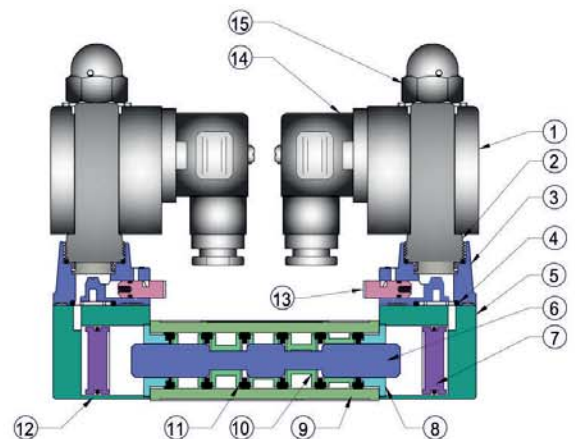
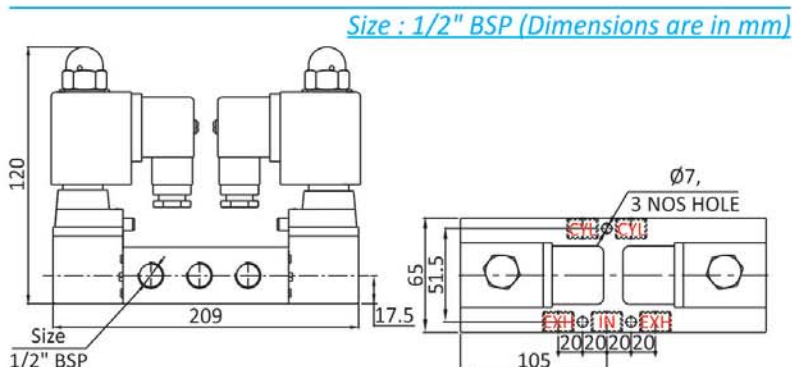
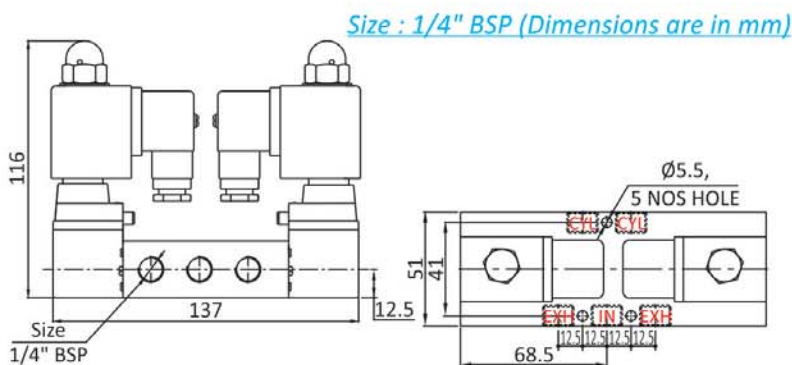
## 5/2 Way Double Solenoid Valve

### Features

- ▶▶ Heavy & Durable design.
- ▶▶ Aluminum Die Cast Standard Grade with Powder Coating.
- ▶▶ Hard Chrome Plated spool for rust free smooth and long life cycle.
- ▶▶ Coil - Continuous duty low power consumption, CIMFR & CE Approved.
- ▶▶ Superior High Grade Seals
- ▶▶ Simple design easy to maintenance
- ▶▶ Manual Operator Push, Rotate & Lockable type.

### Technical Specification

Model	2ARMDS - 502	2ARMDS - 504
Size	1/4"	1/2"
Orifice	6.5	12.5
Design	Spool type, Internal Pilot Operated ( External Pilot On Request)	
Pressure	2.5 to 10 Kg/cm <sup>2</sup>	
Temperature	80 °C	
Leakage	Bubble Tight	
Duty Cycle	Continuous Rated	
Protection	IP 65 [Flameproof / Explosion Proof As Per IS / IEC 60079 - 1 Standard Approved by Central Institute of Mining and Fuel Research (CIMFR)]	
Connector	DIN 43650 A	
Response Time	15 msec ON / 25 msec OFF	
Coil Voltage	12V, 24V, 48V, 110V, 230V, (AC / DC) 50 / 60 Hz ( Non Std. Voltage Available On Request )	
Media	Compressed Air ( Filtered & Lubricated )	
Flow (NLPM) at 5 BAR	1100	3000
Weight (Kg)	1.130	1.630



No.	Part Name	Material
1	Coil	Std. Material
2	Armature Assembly	S. Steel
3	Armature Jet Body	Zinc Pressure Die Cast
4	'O' Ring	Hi - Nitrile
5	Solenoid Cover	Zinc Pressure Die Cast
6	Spool	Hardchrome Plated Steel
7	Piston	Aluminum
8	Collar Washer	Polyacetal / Aluminum
9	Body	Aluminum Pressure Die Cast
10	Cage	Polyacetal
11	'T' Ring	Hi - Nitrile
12	Solenoid Cover	Aluminum Pressure Die Cast
13	Push Button	Brass
14	DIN Connector	DIN 43650A
15	Cap Nut	Steel Nickle Plated